

# Sniper 6N1 Fiber Prep Tool

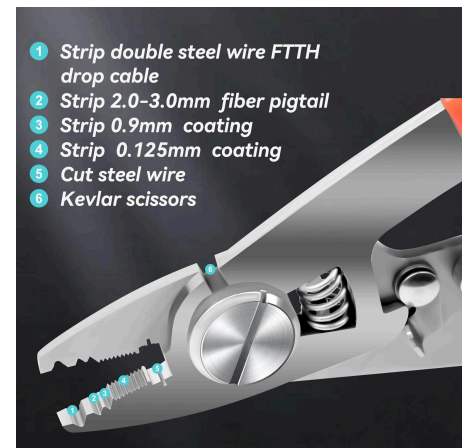
## Six functions in one tool

Introducing the Sniper 6N1 fiber optic prep tool, engineered to enhance efficiency for professional fiber optic installers. Featuring a patented five-port design that delivers six essential functions in one compact tool, it streamlines the preparation process by combining a 3mm/2mm cable jacket stripper, 900µm buffer stripper, 250µm coating stripper, integrated Kevlar scissors for cutting aramid yarn, a drop cable jacket stripper, and a metal wire cutter for drop cable applications.



## Features

- Patented five-port design enabling six integrated functions
- 3mm and 2mm cable jacket stripper
- 900µm buffer stripper and 250µm coating stripper
- Drop cable jacket stripper
- Kevlar scissors for cutting aramid yarn
- Metal wire cutters for drop cable applications
- Manufactured from hardened 420 stainless steel for durability and long service life
- Pre-set design with precision-calibrated cavities; no adjustments required



## Specifications

Parameter	Value
<b>Stripping Range</b>	micron coating (250um), micron buffer (900um), outside jacket & loose tube buffer (2.0-3.0mm), drop cable
<b>Cutting Range</b>	kevlar scissors for aramid yarn, metal cutter for drop cable
<b>Material</b>	420 stainless steel hardened to 53 Hardness Rockwell C Scale
<b>Weight</b>	3.69 Ounces
<b>Dimensions</b>	5" x 3" x 0.5"

## Ordering Information

Part Number	Description
<b>Sniper6</b>	Fiber cable prep tool with six functions in one tool